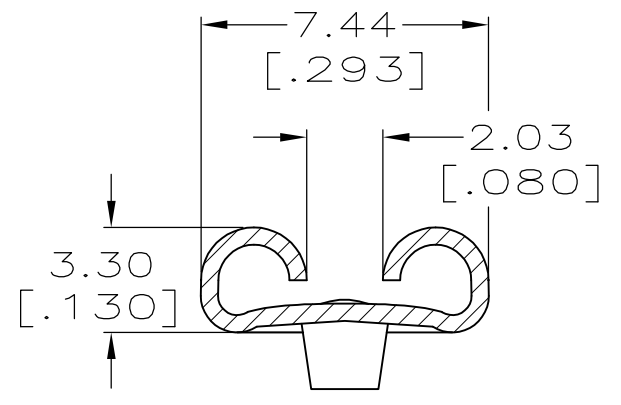
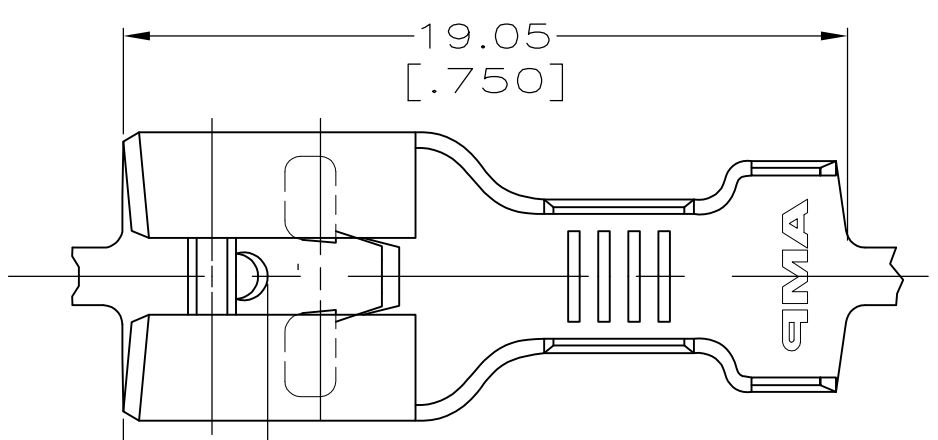


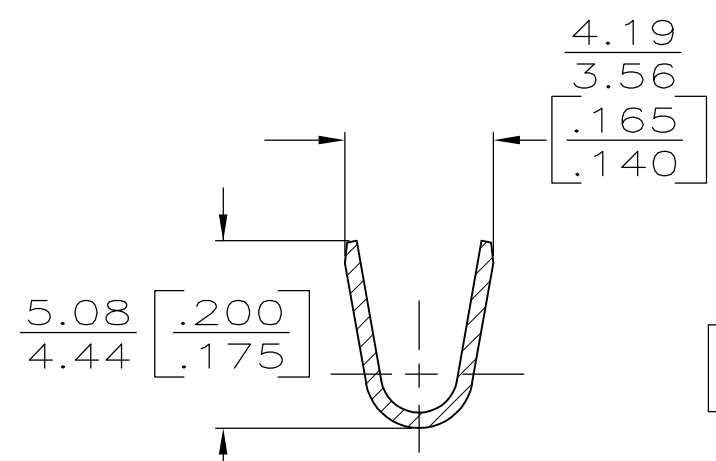
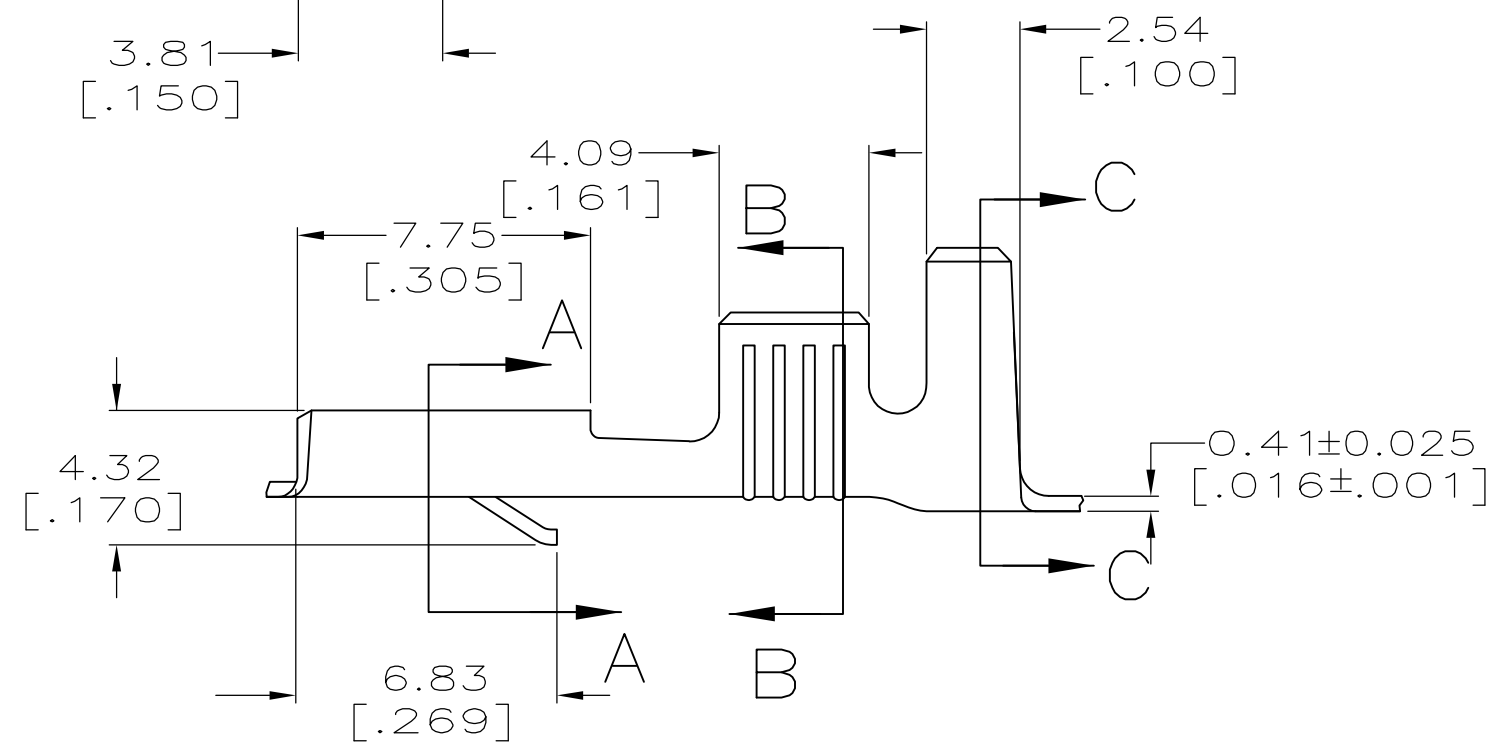
THIS DRAWING IS UNPUBLISHED. RELEASED FOR PUBLICATION
 © COPYRIGHT - By - ALL RIGHTS RESERVED.

| LOC | DIST | REVISIONS | | | |
|-----|------|-------------|---------------------------|-----------|-------|
| P | LTR | DESCRIPTION | DATE | DWN | APVD |
| AF | 50 | G | REVISED PER ECR-13-005733 | 23AUG2013 | KH PD |

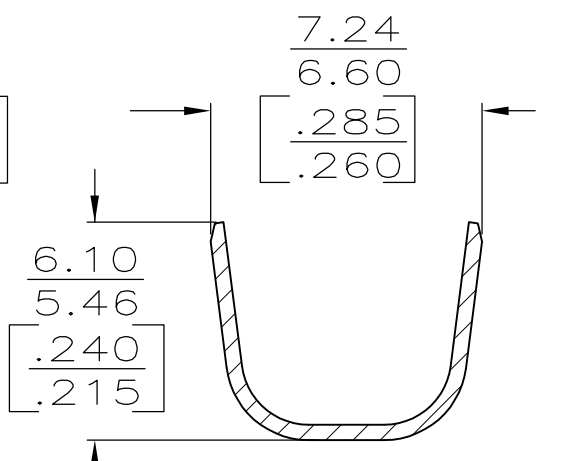
- 1 CONTINUOUS STRIP ON REELS.
- 2 ACCEPTS WIRE SIZE [#16-#12 OR TWO #16'S].
- 3 INSULATION RANGE TO BE 4.06-5.33 [.160-.210] OR TWO 3.30 [.130] MAX DIA.
- 4 MATING TAB THK IS 0.81±0.025 [.032±.001].
- △5 INTERLEAVING PAPER REQUIRED.
- △6 PRELIMINARY - NOT FOR PRODUCTION



SECTION A-A



SECTION B-B



SECTION C-C

| | | | |
|----|-------------------------------|----|---------|
| △5 | 0.002032 [.000080] MIN TIN | △6 | 60249-5 |
| | 0.000381 [.000015] THK SILVER | | 60249-3 |
| | TIN | | 60249-2 |
| | - | | 60249-1 |
| | FINISH | | PART NO |

| | | | | | | | |
|--|--|------------------|-------------|---|----------------------------|------------|--|
| THIS DRAWING IS A CONTROLLED DOCUMENT. | | DWN | JR RUTH | 7/14/95 | STE TE Connectivity | | |
| DIMENSIONS: INCHES | | CHK | MS FEHER | 7/14/95 | | | |
| TOLERANCES UNLESS OTHERWISE SPECIFIED: | | APVD | J GILLESPIE | 7/14/95 | NAME | | |
| 0 PLC ± - | | PRODUCT SPEC | | RECEPTACLE, FASTIN-FASTON, 6.35 [.250] SERIES | | | |
| 1 PLC ± - | | APPLICATION SPEC | | SIZE | | | |
| 2 PLC ± 0.38 [.015] | | 114-2025 | | CAGE CODE | | DRAWING NO | |
| 3 PLC ± - | | WEIGHT | | A300779 | | C=60249 | |
| 4 PLC ± - | | CUSTOMER DRAWING | | SCALE | | SHEET | |
| ANGLES ± - | | SCALE | | 5:1 | | 1 OF 1 | |
| FINISH | | RESTRICTED TO | | REV | | G | |
| BRASS | | SEE TABLE | | REV | | G | |